

SMOKE-RATED NARROW PROFILE STEEL DOOR AND WINDOW SYSTEM

SmokeSafe™ Window & Door System is a smoke-rated partition featuring doors, sidelites/transoms, and standalone windows suitable for enclosed elevator lobbies in multifamily buildings. SmokeSafe Window & Door System is comprised of glass, frames and hardware and is tested to UL 1784: Standard for Air Leakage Tests of Door Assemblies and Other Opening Protectives.

FEATURES

- Fully code compliant system -meets UL 1784: Standard of Air Leakage for Door Assemblies and Other Opening Protectives
- Easy installation similar to typical storefront systems
- Narrow steel profiles
- Incorporates tempered, laminated or insulated glazing
- Full-lite doors available in single leaf or double leaf design
- Durable welded steel construction of doors
- Modular system
- Frames supplied welded or "K-D" (knockdown) ready for installation
- Door hardware available to fit functional requirements. Please check with TGP for compatibility
- Finish powder coating at the factory to match desired color scheme
- Arched profiles
- Brushed stainless steel finish available

LISTINGS/STANDARDS

Classified and labeled by Underwriters Laboratories, Inc.® and Underwriters Laboratories of Canada. File numbers R41225. Tests performed in accordance with:

UL 1784 NFPA 105

SPECIFICATIONS

Complete 3-part CSI format specifications are available online at fireglass.com, or by calling 800.426.0279.

GLAZING CONFIGURATIONS

GLAZING	CONFIGURATIONS
Tempered Monolithic	1/4" (6 mm) glass
Tempered Insulated Glass	1" (25 mm) IGU: 1/4" (6 mm) tempered glass + 1/2" (12 mm) air space + 1/4" (6 mm) tempered glass
Laminated	1/8" (3 mm) glass + .03" (.76 mm) PVB 1/8" (3 mm) glass
Laminated IGU	1" (25 mm) IGU: 1/8" (3 mm) glass + .03" (.76 mm) PVB + 1/8" (3 mm) glass + 1/2" (12 mm) air space + 1/4" (6 mm) tempered glass



Smoke Rated



Stainless Steel Option



UL Classified & Labeled



**NORTH AMERICA'S
MOST SPECIFIED**
FIRE-RATED GLASS COMPANY

Notes:

This product is not intended for use in locations requiring a barrier to radiant heat or other fire protection requirements. This product does not meet test standards ASTM E-119, UL 263, UL 9, UL10B or UL10C. If your application requires these compliant products, please contact Technical Glass Products regarding the full Fireframes® suite of fire-rated solutions.

SMOKE RATINGS

GLASS	PRESSURE (IN. OF WC)	AIR TEMP (°F)	LEAKAGE (CFM/SQ FT)	CLOSING FORCE (LB)	ARTIFICIAL BOTTOM SEAL
Single Doors, with or without Sidelite/Transom	0.05	Ambient	< 3.0 / < 3.0	6	No / Yes
	0.10 0.20 0.30	400	< 3.0 / < 3.0	6	No / Yes
Door Pairs	0.05	Ambient	< 3.0 / < 3.0	8	No / Yes
	0.10 0.20 0.30	400	< 3.0 / < 3.0	8	No / Yes

Note: 1. Leakage rates were derived from testing full lite assemblies. Split sidelites, transoms, or doors may vary slightly.

GLASS SIZES AND FRAMING

GUIDELINES AND GLASS SIZES

PRODUCT	APPLICATION	MIN. EXPOSED AREA		MIN. EXPOSED WIDTH		MIN. EXPOSED HEIGHT	
		SQ. INCHES	SQ. METERS	INCHES	MILLIMETER	INCHES	MILLIMETER
Safety Rated Monolithic Glass	Doors (Single)	2,115	1.36	28-9/16	726	73-9/16	1,869
	Doors (Pairs)	2,060	1.33	28	711	73-9/16	1,869
	Sidelite, Transoms, Windows	2,330	1.50	30-5/16	770	76-7/8	1,953
Safety Rated IGU	Doors (Single)	2,115	1.36	28-9/16	726	73-9/16	1,869
	Doors (Pairs)	2,060	1.33	28	711	73-9/16	1,869
	Sidelite, Transoms, Windows	2,330	1.50	30-5/16	770	76-7/8	1,953

Note: 1. Individual lite sizes below “Min. Exposed Area,” or minimum single dimension shown above may have varying leakage rates from Rating table shown above, but are within the parameters required for UL 1784 (< 3 CFM/Sq. Ft.).

2. DLO = Daylight Opening (exposed glass dimension).

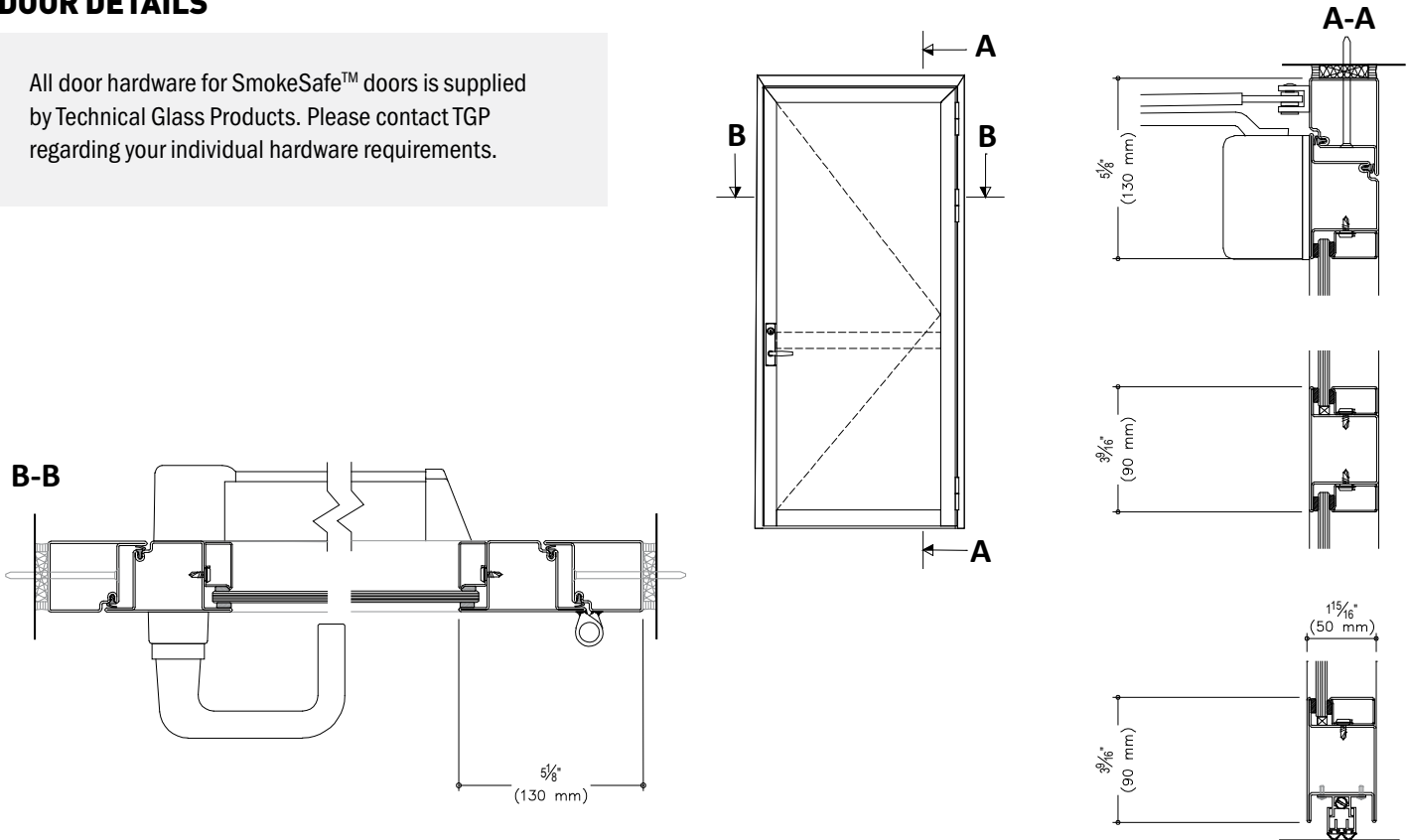
ASSEMBLY AND DOOR SIZES

DOORS: SINGLES AND AA/AF/DE PAIRS	MIN. WIDTH (INCHES)	MIN. WIDTH (MILLIMETERS)	MIN. HEIGHT (INCHES)	MIN. HEIGHT (MILLIMETERS)
GLAZED WITH SMOKE SAFE WINDOW & DOOR SYSTEM PRODUCTS				
Single Door Frame Dimension (FD):	38-13/16	985	82-3/4	2,102
Door Opening (DO):	34-7/8	886	80-13/16	2,052
Door Opening (Clear):	32	813	80	2,032
Door Pairs, Active/Active (AA), Active/Fixed, (AF) or Double Egress (DE) Frame Dimension (FD):	72-1/8	1,832	82-3/4	2,102
Door Opening (DO):	68-3/16	1,732	80-13/16	2,052
Door Opening (Clear):	64	1,626	80	2,032
WINDOW / SIDELITE FRAME ¹				
Windows / Sidelites / Transoms	35-13/16	910	82-3/8	2,093

Note: 1. Width and height are interchangeable for windows/sidelites/transoms.

DOOR DETAILS

All door hardware for SmokeSafe™ doors is supplied by Technical Glass Products. Please contact TGP regarding your individual hardware requirements.



WINDOW DETAILS

