

**Fire-Rated, Narrow Profile Aluminum
Frames With a Real Wood Veneer**
Patent No. 9,045,900
Fire Rating: 45/60/120 Minutes

Fireframes TimberLine® Series features a high strength steel sub-frame (51 mm wide) with a real wood veneered metal cover cap. The result is a barrier to radiant and conductive heat transfer with tall spans. Combined with Fireglass® fire-rated glass, this system allows for unlimited areas of glazing in fire separations with tall spans.

FEATURES

- Fire ratings of 45-120 minutes with required hose stream test
- Easy installation
- Frames supplied “K-D” (knock-down) ready for installation
- Real wood finish veneered metal cover caps
- Multiple species available including white maple, cherry, white oak and red oak (other species also available - check with TGP)
- Incorporates large individual panes of Fireglass fire-resistive-rated glass, composed Pilkington OptiWhite™ glass and clear intumescent interlayers
- Designed for interior use
- Passes wall assembly test standard UL 263 / ASTM E119 for 60 and 120 minute ratings
- Compatible with full-lite single leaf and double leaf design doors (Fireframes Designer Series, or Fireframes Heat Barrier Series) from TGP or wood doors by others

LISTINGS/STANDARDS

Classified and labeled by Underwriters Laboratories, Inc.® and Underwriters Laboratories of Canada. File numbers R25229 (windows), R25274 (walls), design number U558 (U416 Canada). Frame tests performed in accordance with:

UL 9	NFPA 251	CAN/ULC-S101	ASTM E119
UL 263	NFPA 257	CAN/ULC-S106	

SPECIFICATIONS

Complete 3-part CSI format specifications are available online at fireglass.com, or by calling 800.426.0279.



BIM 3D Model Available



UL Classified & Labeled



Fire-Rated



Hose Stream Tested



Heat Barrier



Positive Pressure Tested

FRAMING

RATING	MAX. EXPOSED GLASS AREA PER PIECE	MAX. EXPOSED GLASS DIMENSION
45 min. *	4,500 in ² (2.90 m ²)	95-1/4 in (2.42 m)
60 min.**	7,442 in ² (4.80 m ²)	118-1/8 in (3.00 m)
120 min. **	3,730 in ² (2.41 m ²)	111 in (2.81 m)

*45 minute window systems are classified as an Opening Protective as per UL 9 with a maximum overall frame size of 152 square feet.

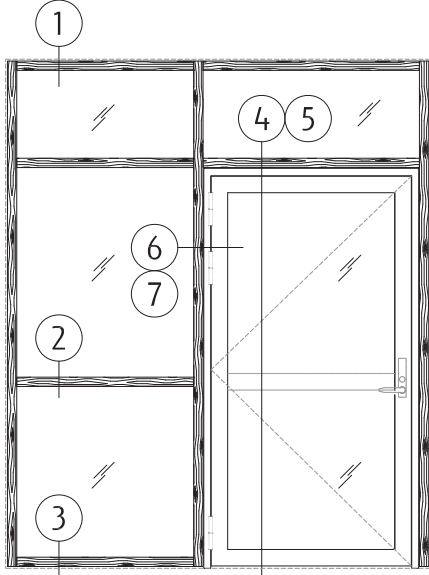
** 60 and 120-minute tests conducted per UL 263 / ASTM E-119. Therefore assembly is classified as a wall assembly, and not subject to "opening" area limitations.

DOORS

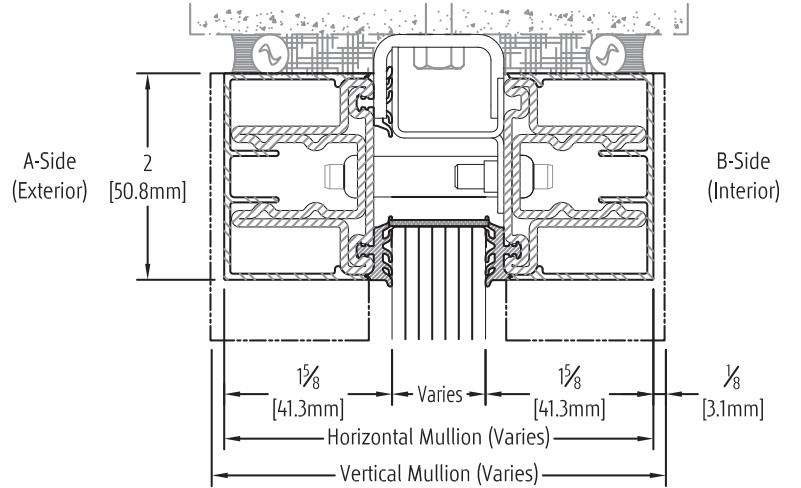
RATING	MAX. SINGLE DOOR LEAF SIZE	MAX. EXPOSED GLASS SIZE PER PIECE
Fireframes Designer Series		
20 min.	42" x 96" (1.07 m x 2.44 m)	36" x 89" (.91 m x 2.26 m)
45 min.	42" x 96" (1.07 m x 2.44 m)	36" x 89" (.91 m x 2.26 m)
60 min.	42" x 96" (1.07 m x 2.44 m)	36" x 89" (.91 m x 2.26 m)
90 min.	43" x 95-7/8" (1.09 m x 2.44 m)	36" x 56-1/2" (divided lite door) (.91 m x 1.44 m)
Fireframes Heat Barrier Series***		
60 min.	48-7/8" x 95-15/16" (1.24 m x 2.44 m)	41-5/8" x 89-3/4" (1.06 m x 2.28 m)
90 min.	48-7/8" x 95-15/16" (1.24 m x 2.44 m)	41-5/8" x 89-3/4" (1.06 m x 2.28 m)

*** Where temperature rise door is required.

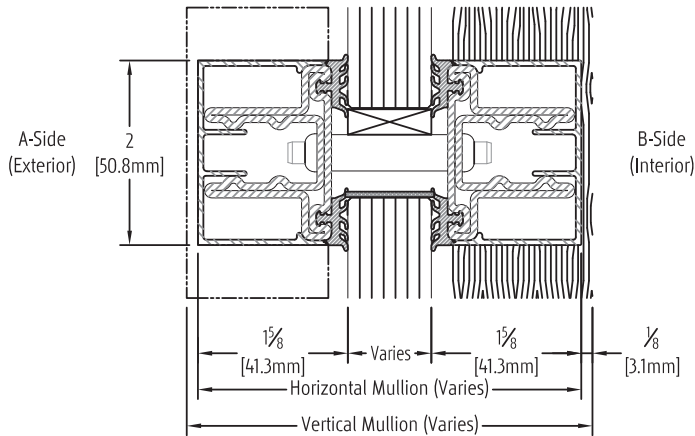
ELEVATION VIEW



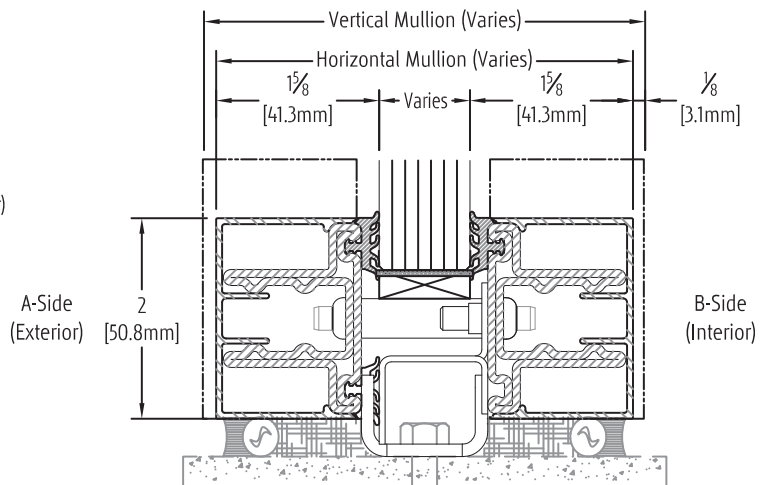
1 HEAD MULLION SECTION



2 HORIZONTAL MULLION SECTION

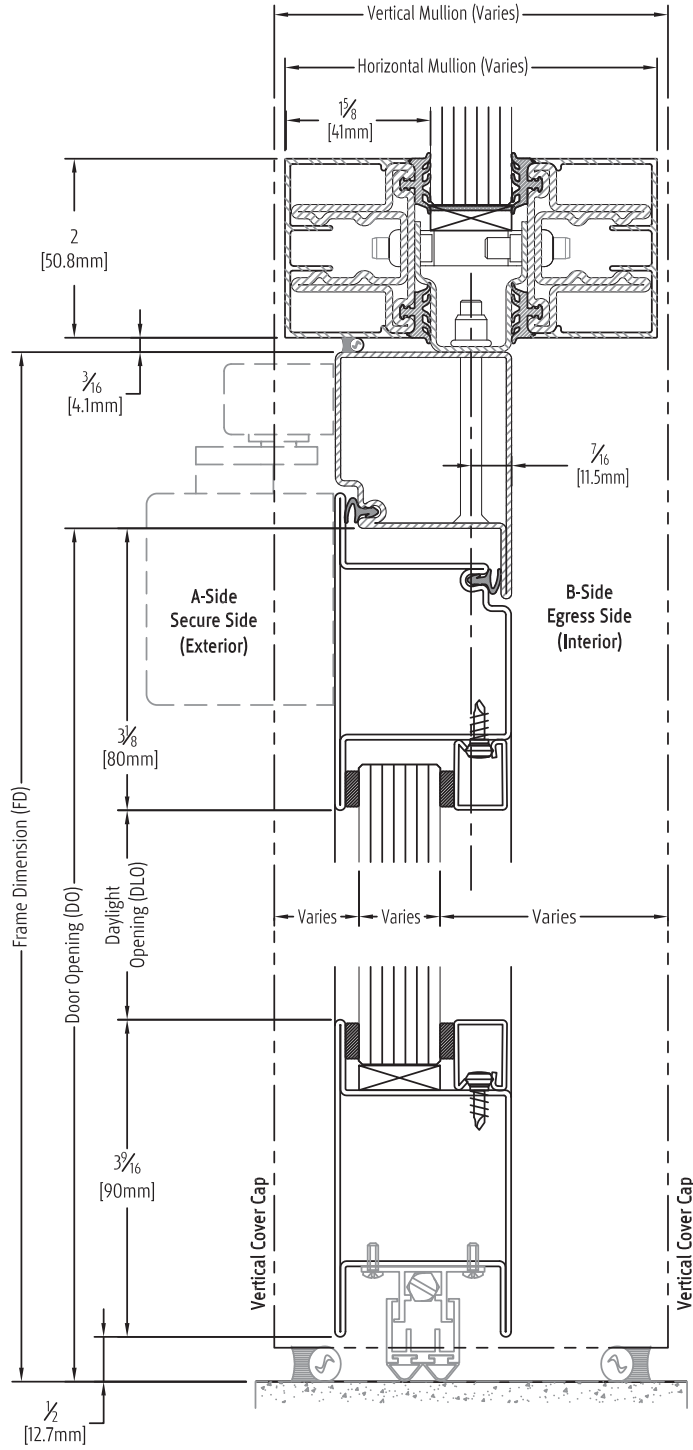


3 SILL MULLION SECTION

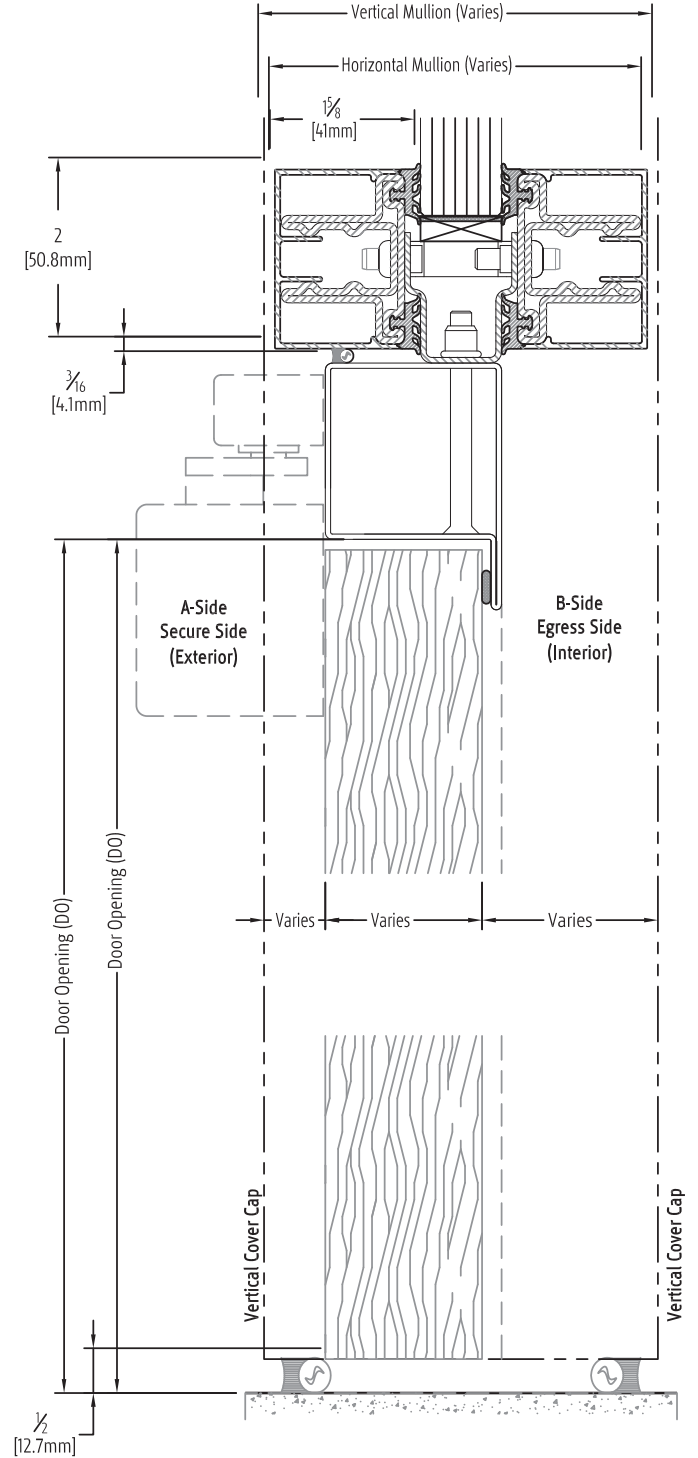


Details shown use Fireframes Designer Series Doors by TGP. For temperature rise doors, please consider Fireframes Heat Barrier Series doors from TGP.

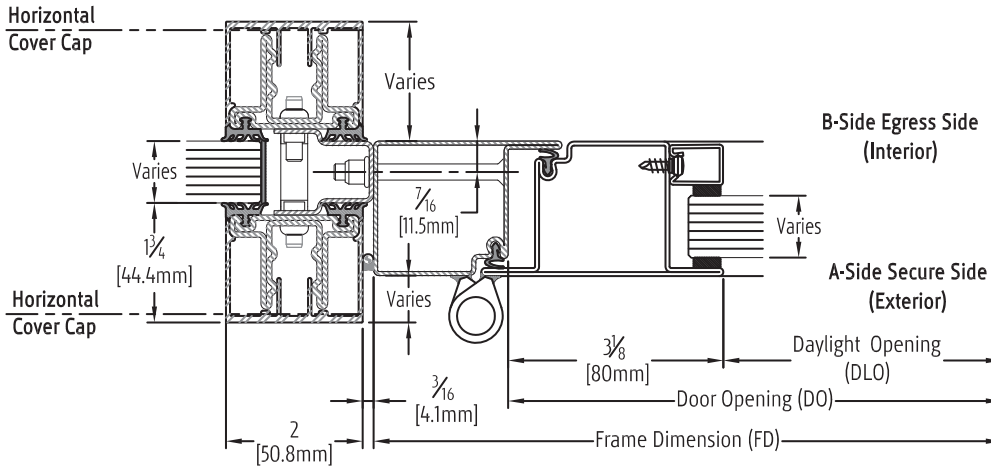
4 DOOR AND TRANSOM
FIREFRAMES DESIGNER SERIES
DOOR AND FRAME



5 DOOR AND TRANSOM
FIREFRAMES DESIGNER SERIES
FRAME WITH DOOR BY OTHERS



6 VERTICAL MULLION WITH OUTSWING DOOR AT PIVOT JAMB
FIREFRAMES DESIGNER SERIES DOOR AND FRAME



7 VERTICAL MULLION WITH OUTSWING DOOR BY OTHERS AT PIVOT JAMB
FIREFRAMES DESIGNER SERIES FRAME WITH DOOR BY OTHERS

